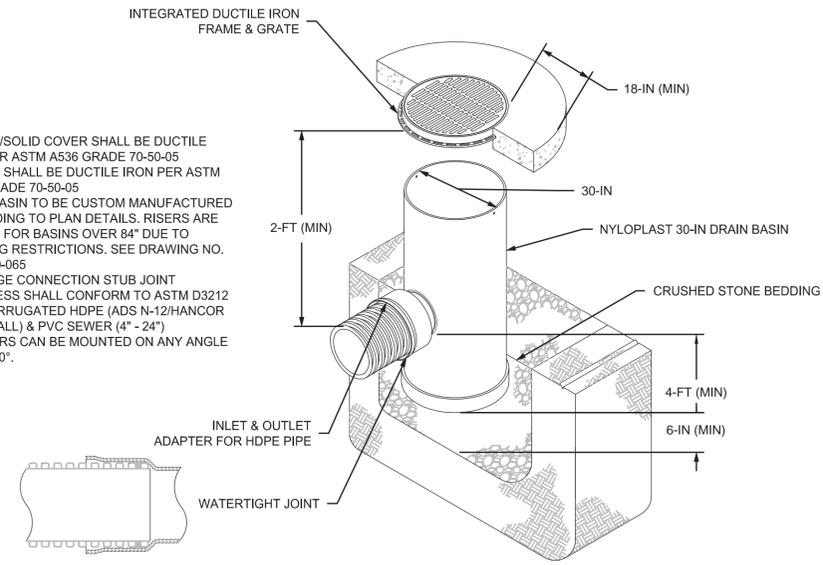


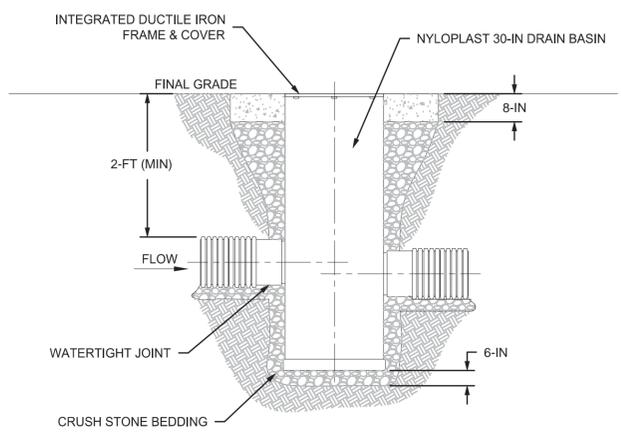
Cross Section A-A'
 Horz: 1" = 100'
 Vert: 1" = 10'

Cross Section B-B'
 Horz: 1" = 100'
 Vert: 1" = 10'

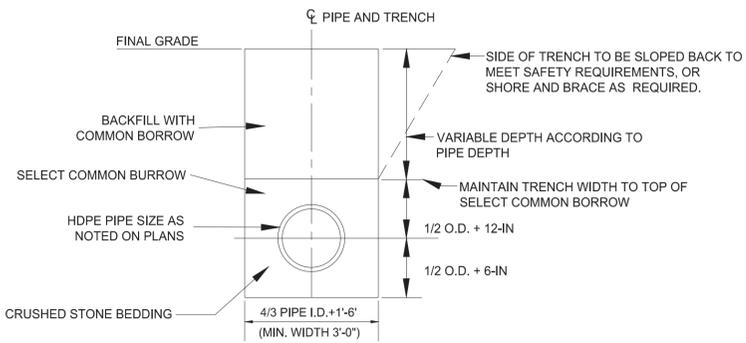
1. GRATES/SOLID COVER SHALL BE DUCTILE IRON PER ASTM A536 GRADE 70-50-05
2. FRAMES SHALL BE DUCTILE IRON PER ASTM A536 GRADE 70-50-05
3. DRAIN BASIN TO BE CUSTOM MANUFACTURED ACCORDING TO PLAN DETAILS. RISERS ARE NEEDED FOR BASINS OVER 84" DUE TO SHIPPING RESTRICTIONS. SEE DRAWING NO. 7001-110-065
4. DRAINAGE CONNECTION STUB JOINT TIGHTNESS SHALL CONFORM TO ASTM D3212 FOR CORRUGATED HDPE (ADS N-12/HANCOR DUAL WALL) & PVC SEWER (4" - 24")
5. ADAPTERS CAN BE MOUNTED ON ANY ANGLE 0° TO 360°.



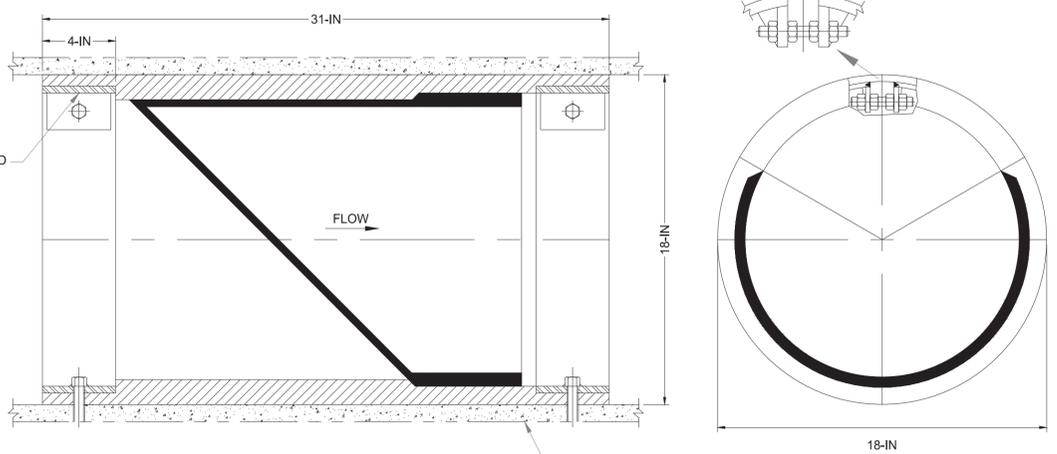
CATCH BASIN
 Not to Scale



MANHOLE
 Not to Scale



PIPE TRENCH
 Not to Scale



- NOTES:
1. CHECK VALVE SHALL BE TIBEFLEX CHECK MATE OR APPROVED EQUAL.
 2. MAXIMUM ALLOWABLE BACK PRESSURE - 20.0 FEET

CHECK VALVE
 Not to Scale

NOT FOR CONSTRUCTION

NO.	DATE	REVISION	CHKD.	DATE	APP'D.	DATE
1	05/11/11	RAWP				
2						
3						
4						
5						
6						
7						
8						
9						
10						

AECOM
 30 Kingsbridge Road, Suite 520
 Jersey City, NJ 07310
 www.aecom.com

PPG INDUSTRIES
 GARFIELD AVE. SITES
 JERSEY CITY, HUDSON COUNTY, NEW JERSEY
 PROJ. NO.: 60190134.500A DATE: 05/16/11

RESTORATION DETAILS
 REMEDIAL ACTION
 WORK PLAN

DRAWING NUMBER:
11-2
 SHEET NUMBER:
 REVISION | A

File: J:\Pilot\Eng\Project Files\PPG Industries\Garfield Avenue\Site Design\CD01\DWG\PPG - SITE Design\11-1-11-2.dwg, Layout: 11-2, User: mlsr, Plot Date: May 22, 2012 - 1:28pm, Plot Size: